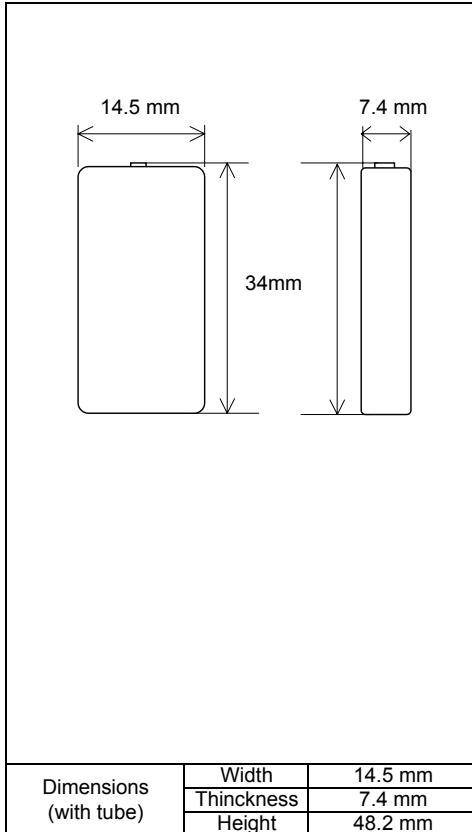


Specifications

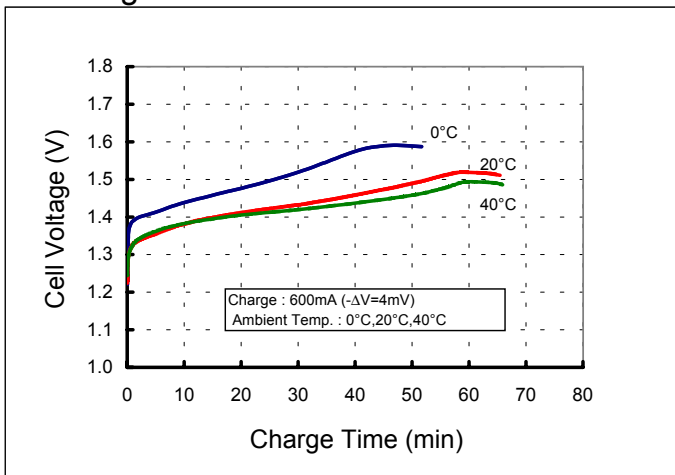


Type : Nickel-Metal Hydride Battery		Size : D4 size	
Capacity ¹⁾	Typical	640mAh	
	Minimum	600mAh	
Nominal Voltage		1.2V	
Charging Current x Time	Fast Charge ²⁾	640 mA x about 1.1h	
Ambient Temp.	Charge Condition	Fast Charge ²⁾	
	Discharge Condition		
	Storage Condition	Less than 30days	0°C - 40°C
		Less than 90days	0°C - 50°C
Less than 1year		-20°C - 50°C	
Internal Impedance ³⁾ (after discharge to E.V.=1.0V)		About 30mΩ(at 1000Hz)	
Weight ⁴⁾		About 13 g	
Size ⁴⁾ : (Width) x (Thickness) x (Height)		16.0(W) x 6.6(T) x 34.0(H) mm	

- 1)Single cell capacity under the following condition.
Charge : 64mA×16h, Discharge : 128mA(E.V.=1.0V) at 20°C
- 2)Use recommended charging system.
- 3)After a few charge and discharge cycles under the above 1) condition.
- 4)With tube.

Typical Characteristics

Charge



Discharge

